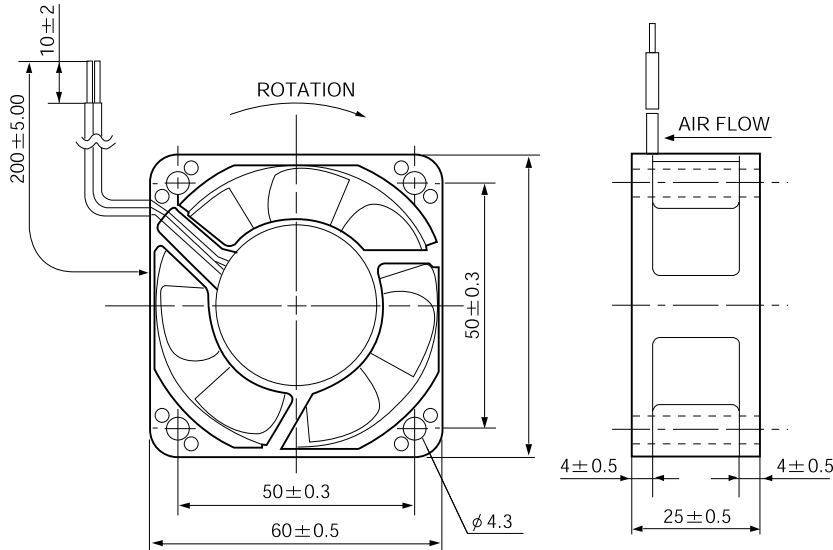
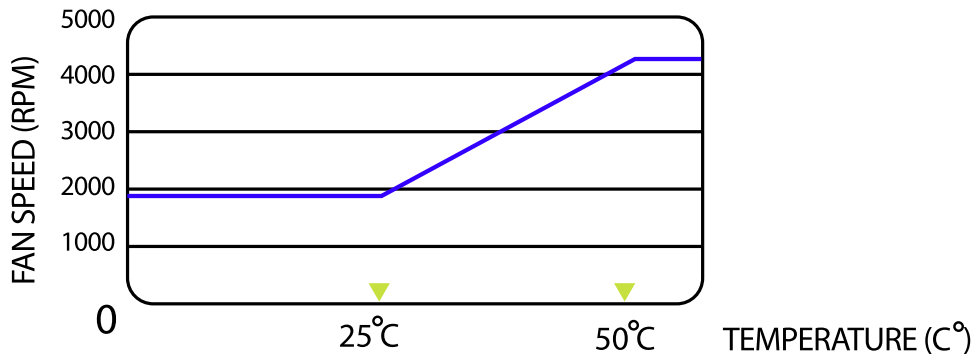


Model: TF6025

External Dimensions:



Performance Curves:



Specifications:

Model #:	TF6025
Dimension:	60 x 60 x 25 mm (2.36" x 2.36" x 0.98")
Rated Voltage:	12 VDC
Power Input:	1.17 ~ 1.8 W
Fan Speed:	1900 ~ 4200 RPM
Air Delivery:	9.9 ~ 24.2 CFM
Noise Level:	19 ~ 33.5 dB(A)
Bearing Type:	Double Ball Bearing

Contact Info: Mailing Address: 43185 Osgood Rd. Fremont, CA 94539

Phone: 510.668.0368 Fax: 510.668.0367 www.vantecusa.com